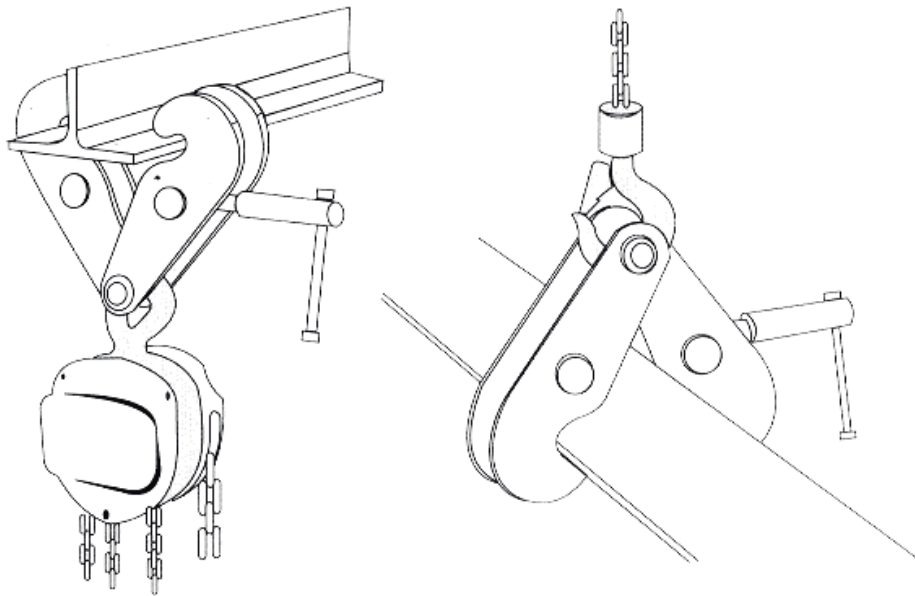


Beam Clamp

Main features

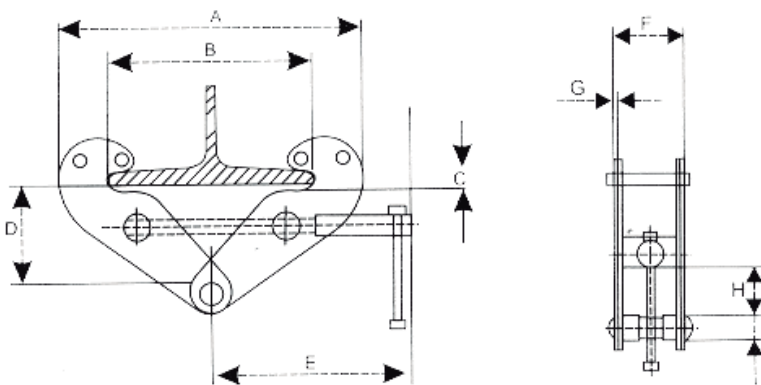
- Quick and versatile rigging point for hoisting equipment, pulley blocks or loads.
- Safe and secure.
- Dust painted spindle for added protection against the elements.
- Requires no tools for installation.
- To be used with hook suspended hoist.



Capacities: 1 ton - 5 ton

Caution

- * Do not exceed the capacity of the trolley
- * Do not use to lift people or carry load above them.
- * To be used with proper material handling equipment and accessories.
- * The equipment illustrated and described is designed for manual operation only.



Specifications, weights and clearances

| (tons.) | (lbs.) | (in.) | | | | | | | | | | |
|----------|--------|--------------|--------------|------------|-------------|-----------|-------|-------|--------|------|-------|--|
| Capacity | Weight | Flange width | A | B | C | D | E | F | G | H | I | |
| 1 | 10.36 | 3.1" - 7.6" | 7.4" - 12.3" | 5" - 7.6" | 0.8"-5" | 4"-5.2" | 8.5" | 2.82" | 0.187" | 2.5" | 0.75" | |
| 2 | 12.57 | 3.1" - 7.6" | 7.4" - 12.3" | 5" - 7.6" | 0.8"-5" | 4"-5.2" | 8.5" | 3.1" | 0.25" | 2.5" | 0.8" | |
| 3 | 24.25 | 2.8" - 11" | 9.2" - 16.6" | 1.3" - 11" | 1.3" - 1.4" | 6.2"-7.6" | 10.4" | 4.1" | 0.312" | 3.3" | 0.87" | |
| 5 | 26.45 | 2.8" - 11" | 9.2" - 16.6" | 1.3" - 11" | 1.3" - 1.4" | 6.2"-7.6" | 10.4" | 4.3" | 0.375" | 3.3" | 1.1" | |